

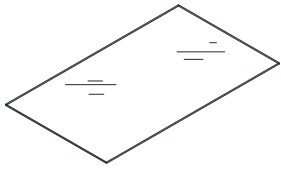
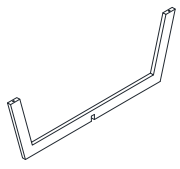
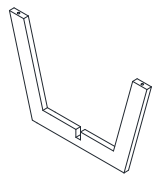
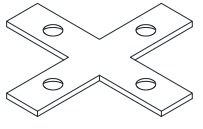
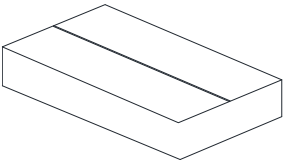
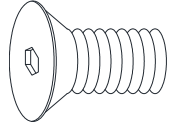
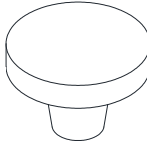
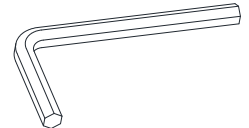
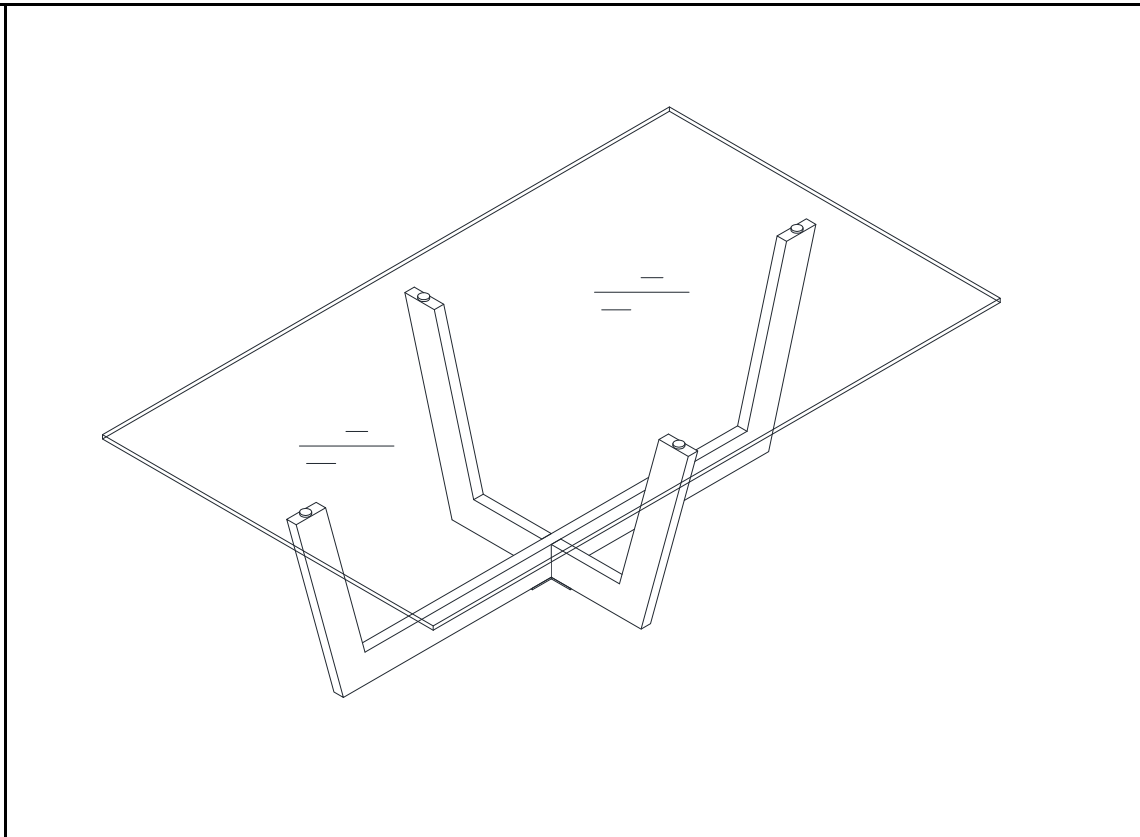
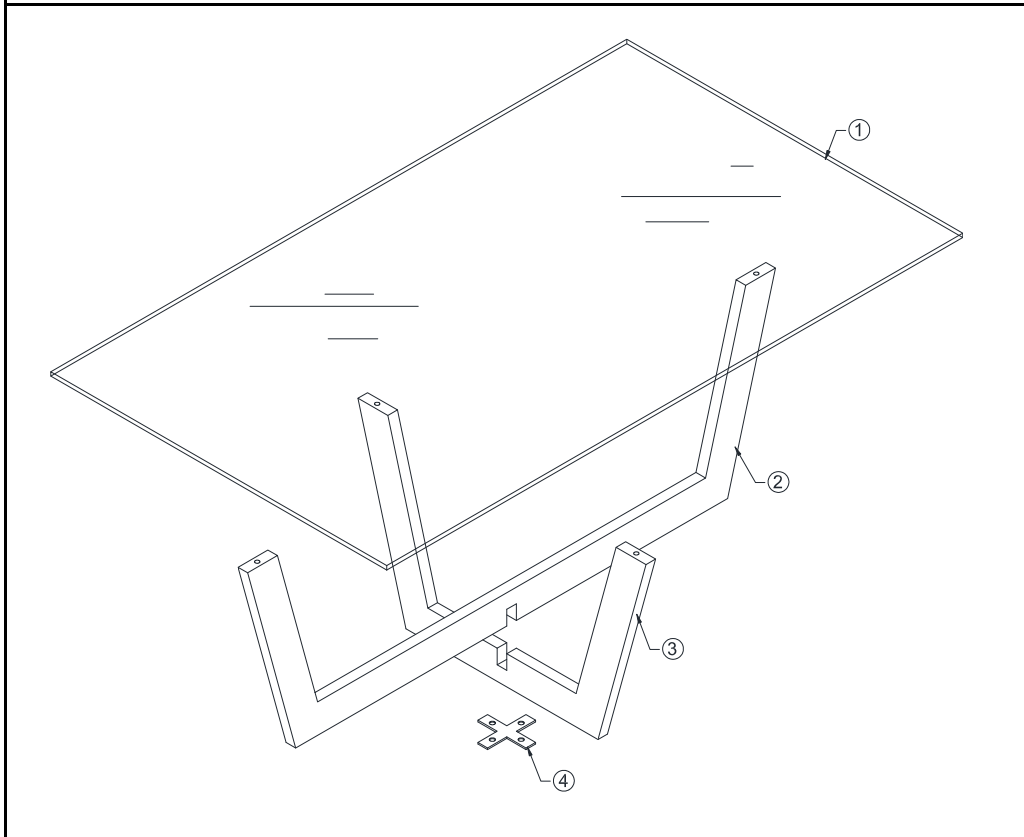


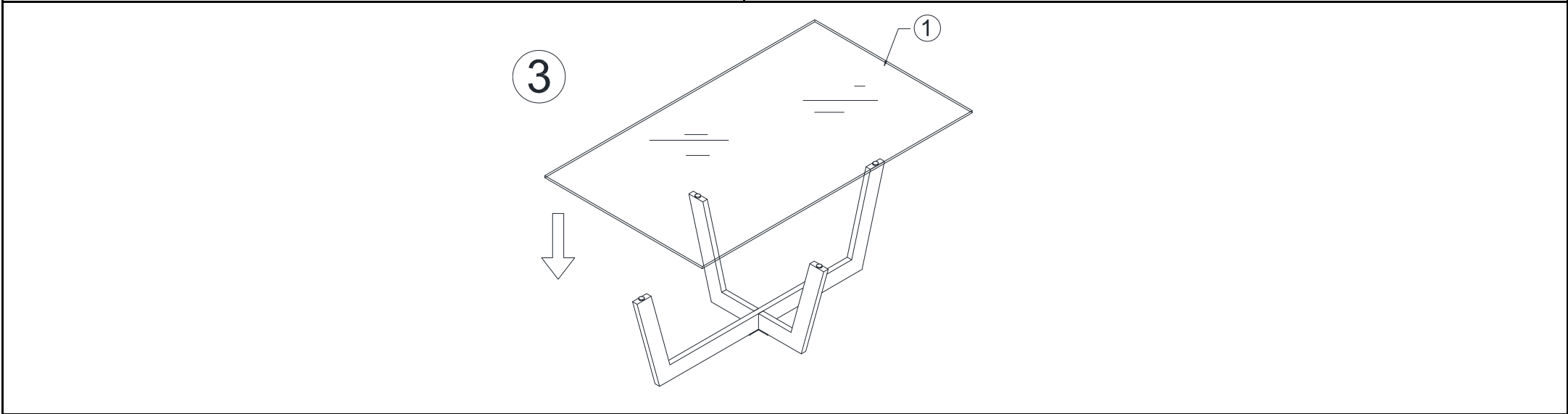
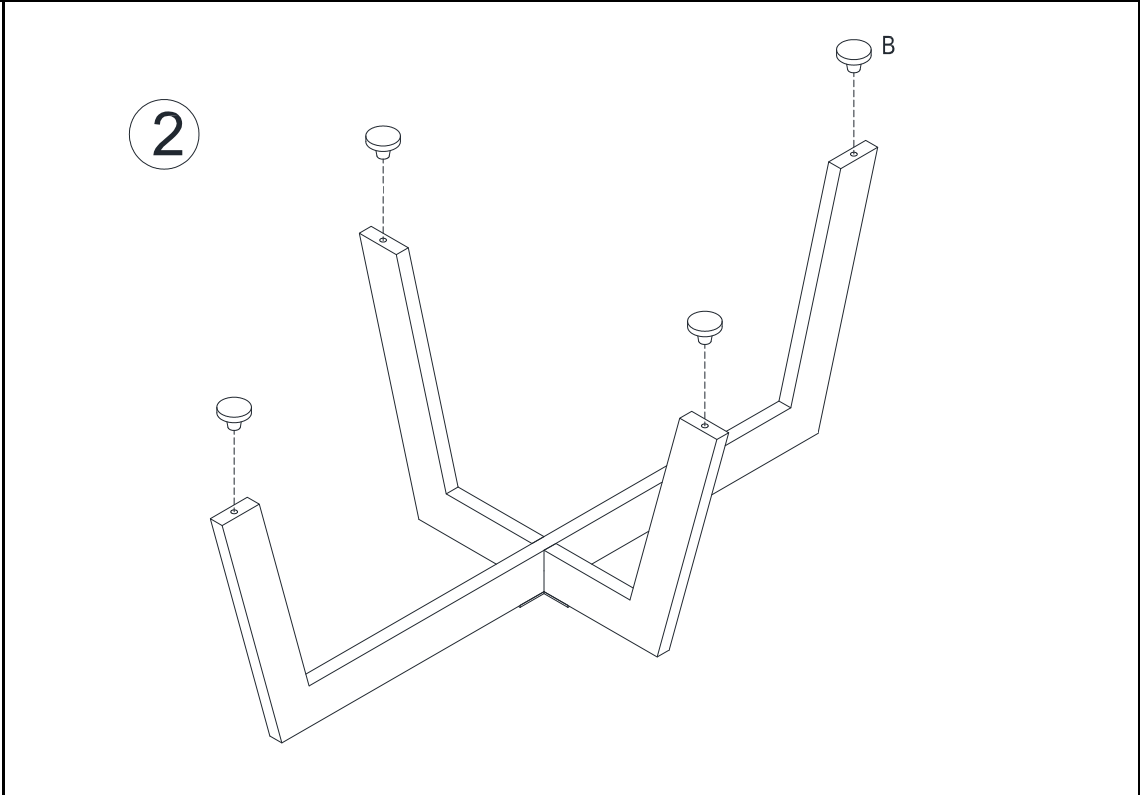
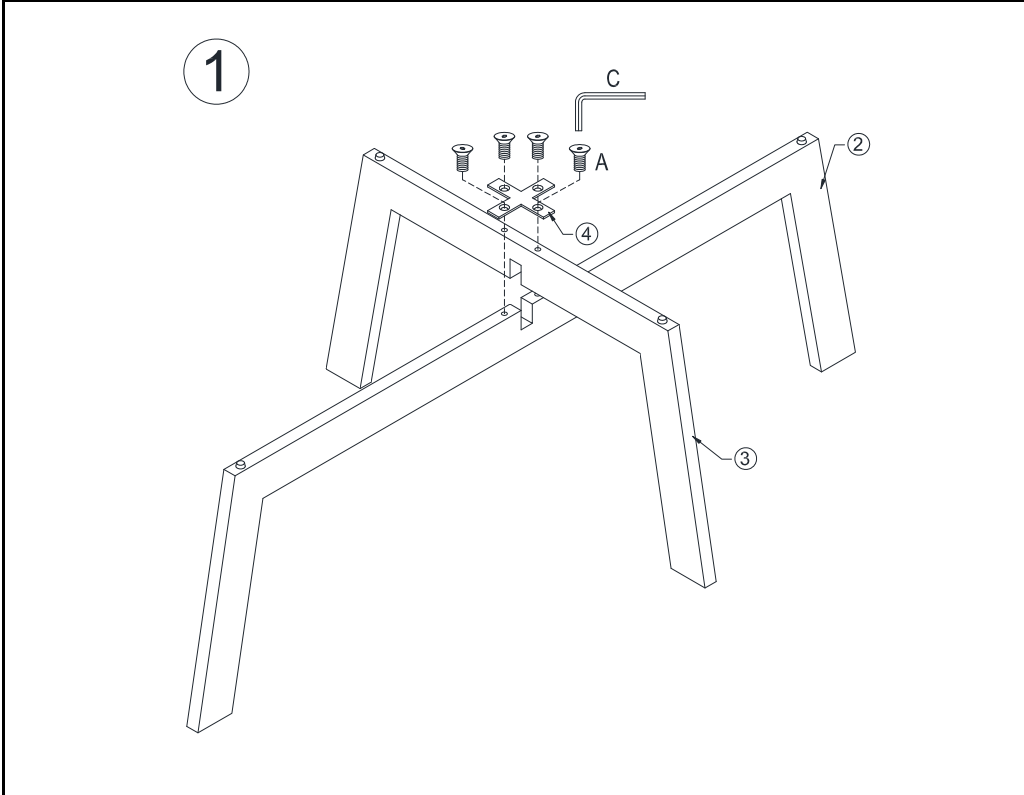
C337 / C338 / C339



 x2	 15 min	 ①=1PC	 ②=1PC	 ③=1PC	 ④=1PC
 x1	 A=4PCS	 B=4PCS	 C=1PC		



C337 / C338 / C339



C337 / C338 / C339



	<p>1 año después / 1 year later / 1 an après</p>				

C337 / C338 / C339

